

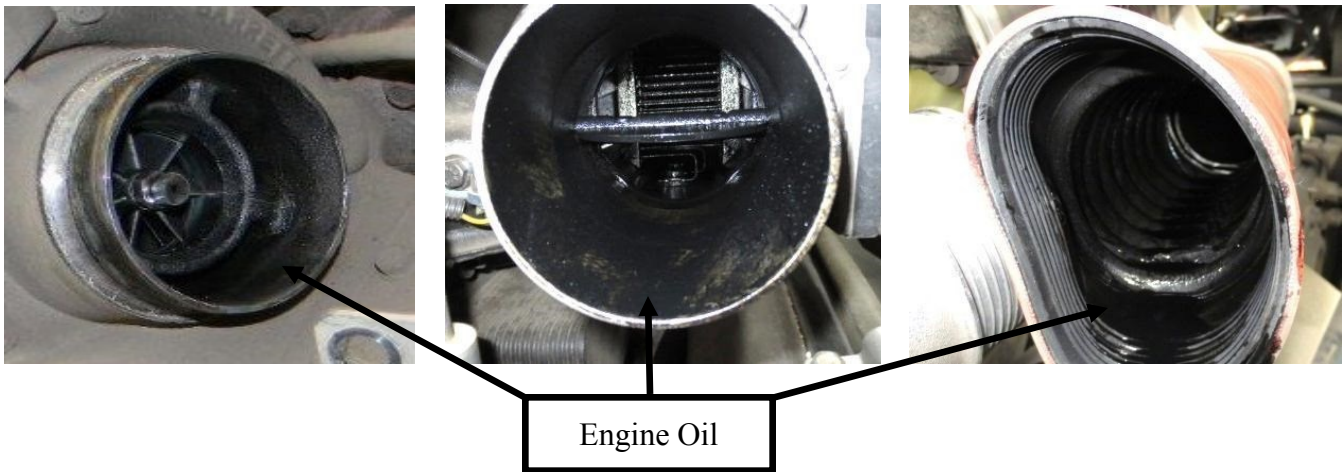
SUBJECT: Passing Oil Complaints in GH7 Turbochargers

Department: Service
 Section: Engine
 Model(s): GH7
 Model Year(s): 2011, 2012 & 2013
 Effective Date: October 8, 2015
 Form #: TB EN-57
 Rev #:
 Supersedes:

Purpose: To advise technicians to inspect the turbo air inlet and air outlet for passing oil complaints.

Inspection: Verify oil is NOT coming from the air inlet side of the turbo. Inspect for oil entering the turbo from the CCV or air compressor.

Example in which a lot of oil entered into the intake system from CCV

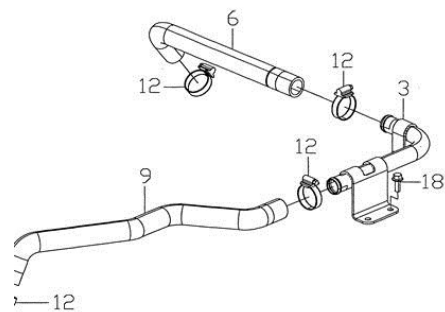
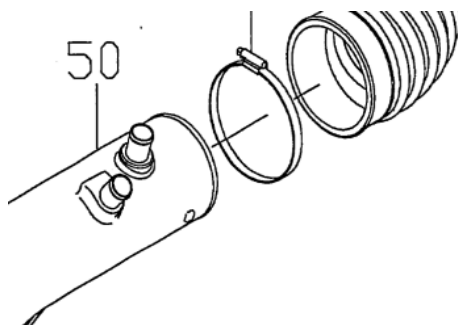


Condition 1. If a large amount of oil has been entering the intake air system on the inlet side of the turbo the warranty repair procedure is to clean the oil from the parts. See drawing 50 below.

Do not replace the turbo for this condition.

Clean:

- A. Turbo air inlet and outlet
- B. All intake piping
- C. Remove CAC and clean
- D. Inspect the intake manifold and clean as required



Condition 2. If excessive oil is found discharged into outlet air piping and CAC with no signs of oil entering the turbo air inlet side this would then require replacement of the turbo for pushing oil. **Photos of the failure are required.**

Contact UDNA regarding any questions on making a complete repair and or turbo replacement.

The Information contained in this bulletin should not be interpreted as the basis for a warranty claim