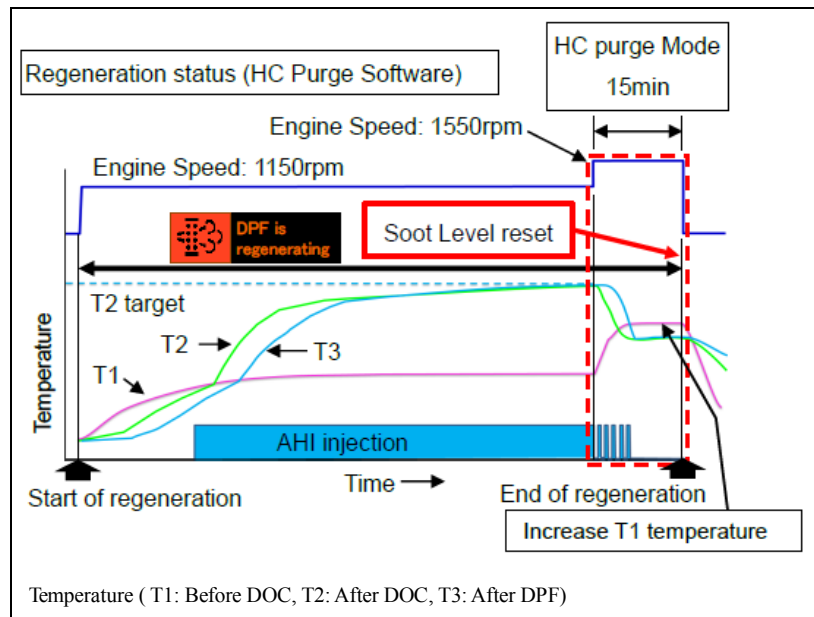


SUBJECT: HC Purge Mode Regeneration Software

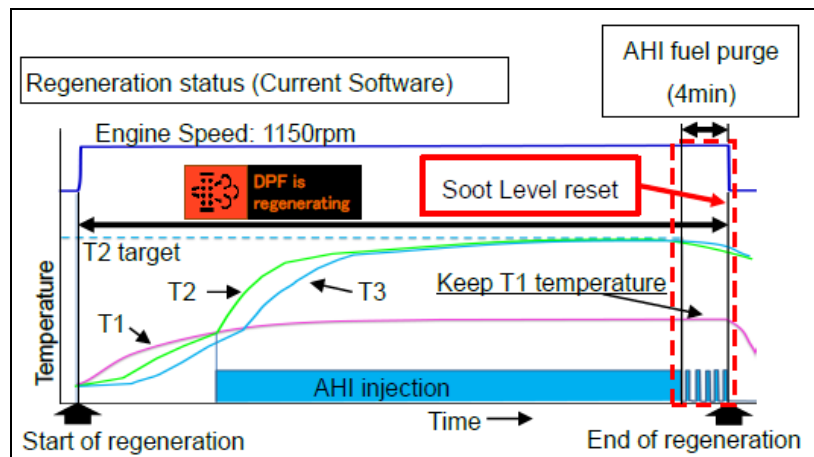
Department: Service
 Section: Engine
 Model(s): GH7
 Model Year(s): 2011, 2012 & 2013
 Effective Date: March 30, 2015
 Form #: TB EN-56
 Rev #: N/A
 Supersedes: N/A

Purpose: HC Purge Mode Regeneration Software activates after manual forced regeneration to further clean the DOC. HC Purge Mode Regeneration can be added to any GH7 engine after reviewing with the customer 15 minutes is added to the regeneration time, the RPM increases to 1550 and the changes below in the warning lamp illumination.

With HC Purge Mode Regeneration Software



Without HC Purge Mode Regeneration Software

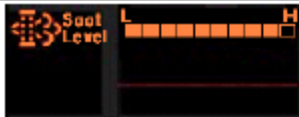




HC Purge Mode Regeneration Software

The HC Software changes the warning lamp to illuminate at 7 Bars.

(See following chart.)

Manual forced regeneration should be carried out immediately when the soot accemulation level reaches 7 Bars.

Regeneration warning lamp condition		Add Solid lamp condition.	
	HC SW	Normal SW	
Soot accumulation level indicator	Regeneration warning lamp & Switch	Regeneration warning lamp & Switch	
			
10 point	Flashing	Flashing	
9 point	Flashing	Flashing	
8 point	Solid	OFF	
7 point	OFF	OFF	
0 - 6 point	OFF	OFF	

Items	Accessory Kit Number	Sub dataset part number	Caption
Special Software (Add HC purge mode)	85139482	22238335	HC purge mode
Back to Normal software from Special software.	85139485	22238334	Non HC purge mode

Procedure:

1. Install the Special Software Accessory Kit listed on the previous page.
2. Program MID233, MID128 and MID144 in that order.
3. Verify the MID128 software number shown below.
4. Perform manual regen and confirm the regen changes as show on page 1.

If this Accessory kit is installed, Sub dataset is added.

(Check software number by Tech Tool (Operation code: 17034-3) after updated.)

Sample display

- MID 128 - Engine ECU
 - Chassis ID: SIM 39
 - ⊕ ● Hardware: 21165620
 - ⊕ ● Software: 21522426 Engine
 - Dataset 1: 21540424 D13H460
 - ⊖ ● Dataset 2: 21535628 D13H
 - Sub dataset: 21392686 Electronic start aid 24V
 - Sub dataset: 21455724 Extended engine protection
 - Sub dataset: 21477846 UD Trucks Stainless steel tank T2 33L
 - Sub dataset: 22238335 HC purge mode
 - Engine hours: Not available
 - Road speed limit 1: 90 km/h
 - Dealer ID for most recent alteration: Not available
 - Date for most recent alteration: 0:00:00

The Information contained in this bulletin should not be interpreted as the basis for a warranty claim