

Quon

CW 25 360
6x4 Rigid



QUON UNIQUE FEATURES

SPECIFICATIONS

Power:	263 kW (357 PS) @ 1900 rpm
Torque:	1428 Nm (1055 lb.ft) @ 1200 rpm
Transmission:	ESCOT-VII automated manual transmission (AMT)
Suspension:	Air bag suspension
Wheelbase:	3700 mm (L-wheelbase) 5700 mm (V-wheelbase)
GVM:	25,000 kg
GCM:	25,000 kg (standard) 38,000 kg



SMART FUEL EFFICIENCY AND RESPECT FOR THE ENVIRONMENT

GH8 engine: fuel efficient, powerful and clean.



SMART UPTIME

Quon has been designed to further optimise uptime, with superior reliability and increased maintenance intervals.



SMART SAFETY

Active safety with mechanical and electronic features throughout, including safety for vulnerable road users.



SMART PRODUCTIVITY

Light weight chassis helping to maximise payload.



SMART DRIVABILITY

The cabin has been designed with the user's comfort in mind, with outstanding ergonomics and visibility allowing the driver to concentrate on driving.

GENERAL SPECIFICATIONS

SAFETY

Passive Safety:

- Highly rigid cabin with ECE R29 rating
- Side door beams
- Front underrun protection system (FUPS)
- SRS driver steering wheel airbag
- Driver side seat belt with pre-tensioner
- Steering wheel & column with impact absorption function

Active Safety:

- Traffic Eye Brake System (AEB)
- Traffic Eye Cruise Control with auto stop & go
- Traffic sign recognition
- Lane departure warning system
- Electronic stability control
- Automatic hill start assist (ESCOT VI)
- Lane change support LHS & RHS
- Blind spot information system LHS & RHS
- Vulnerable road user detection LHS, RHS & front.

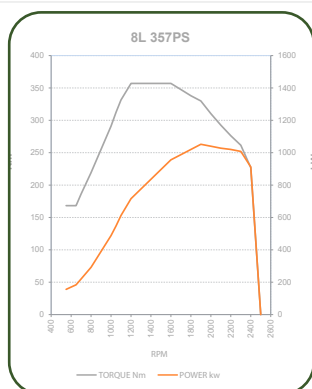
Basic Safety:

- LED Headlamps (low beam only)
- Disc brakes
- Anti Locking Brake System
- Emergency Braking System
- UD Extra Engine Braking (UD EEB)
- Safe Brake Blending
- Immobiliser
- Two-step entry and exit

ENGINE

Model: GH8F
Description: 6 cylinder, 4 stroke diesel engine
Displacement: 7,698 cc
Bore x stroke: 110 mm x 135 mm
Compression ratio: 17.5:1
Max. Power (ECE Net): 263 kW (357PS) @ 1,900 rpm
Max. Torque (ECE Net): 1,428 Nm (1050lb.ft) @ 1,200rpm

Max. governed engine speed:



FUEL AND INTAKE SYSTEM

Fuel capacity: 400 litres (5700mm 2 x 200 litres)
Injection type: High pressure common rail direct fuel injection system
Filtration: Chassis mounted primary filter and engine mounted secondary filter

EMISSION CONTROL

Emission standard: pPNLT (equivalent to Euro 6 emission requirements)
Adblue capacity: 50 litres
Exhaust system: RHS chassis mounted box muffler

ELECTRICAL

Power: 24 volt, negative ground system
Battery capacity: 2 x 12 volt 135 Ah batteries
Alternator: 110 amp

TRANSMISSION - ESCOT

Make: UD Trucks
Model: ESCOT-VII (AT2612)
Description: Automated manual transmission (AMT)
Shift type: 12 forward & 2 reverse gears

Gear ratios:			
1 st	14.94	7 th	3.44
2 nd	11.73	8 th	2.70
3 rd	9.04	9 th	2.08
4 th	7.09	10 th	1.63
5 th	5.54	11 th	1.27
6 th	4.35	12 th	1.00
Rev 1	17.48	Rev 2	13.73

PTO capability: 1000 Nm @ 70% or 90% (PTR-D)

FRONT AXLE AND SUSPENSION SYSTEM

Ground capacity: 8,200 kg
Axle type: Reverse Elliot I-Beam
Suspension: Parabolic leaf spring with shock absorbers
Spring dimensions: 90mm x 1460mm
Spring constant: 347.7 N/mm

REAR AXLE AND SUSPENSION SYSTEM

Ground capacity: 21,000 kg
Axle type / model: Single reduction, hypoid gear, with cross locks.
Final reduction ratio: 3.78, 4.13, 4.50

LEAF SUSPENSION

Description: Multi-leaf spring suspension, with rubber cushions
Leaf dimensions: 75mm x 1380mm

AIR SUSPENSION

Description: 8 air bag with shock absorbers
Road friendly certification number: RF2099 (air only)
Control system: Electronic Controlled Air Suspension with remote control mounted in cab (ECAS4)

BRAKES

Type: Electronic braking system (EBS) with disc brakes on all axles
Front/Rear: 430 mm rotors / 430 mm rotors
Park brakes: Hand-operated pneumatic spring park brake on drive axles
Auxiliary brake: Exhaust plus engine compression type (EEB)
Trailer connections: Air and electrical connections to rear of chassis

STEERING

Type: Recirculating ball and screw with hydraulic assist
Steering gear ratio: 24.1 - 26.8 : 1
Column: Adjustable, tilt and telescopic control
Steering wheel: 460 mm diameter with ignition key steering lock

WHEELS & TYRES

Wheels:	8.25in x 22.5in rim with 165mm offset and ISO 10 stud pattern (335mm PCD)
Front tyres:	295/80 R22.5 Bridgestone R150Z
Rear tyres:	11R 22.5 Bridgestone M711AZ
Spare tyre	295/80 R22.5 Bridgestone R150Z

FRAME

Width:	850 mm
Side rail dimensions:	300 mm x 90 mm x 8 mm
Material:	Rolled high tensile carbon steel
Tensile strength:	600MPa / 600N/mm2

DRIVER INFORMATION & CUSTOMISABLE COLOUR DISPLAY SCREEN

In Dash Warning Systems:	Visual warning lamps with audible warning tones, plus written warnings displayed in full colour on the information screen
In Dash Driver Information:	Customisable live information includes: On board fuel coaching with economy tips, fuel & AdBlue usage, instant fuel consumption, digital speedo, trip computer including: time, distance & distance to empty. Hour meter, coolant temp, engine oil temp, transmission oil temp, UDPC level and volt meter.

INTERNAL CABIN

Lighting:	Dual ON/OFF/DOOR interior lights Interior neon cabin lamp
Seating capacity:	Two (three seats optional)
Driver's seat:	ISRI 6860/875 air suspended seat with integrated seat belt & adjustable arm rest. Adjustable height control & rebound damper. With split seat back adjustments for recline & head rest position. Seat base tilt, seat cushion slide, seat air dump switch. Adjustable air bladders (4) for side bolsters, upper & lower lumbar.
Passenger seat/s:	Assistant seat with adjustable back & head rest
Sleeping capability:	ADR 42/04 compliant sleeper bunk with mattress and full curtains
Side windows:	Power operated door glass
Security:	Remote central locking with immobiliser
Air conditioning:	Fully automatic climate controlled air conditioning with recirculation filter
Multimedia unit:	<ul style="list-style-type: none"> ▫ 8-inch touch screen ▫ Hands-free Bluetooth operation. ▫ FM1, FM2, FM3, AM, DAB+ tuner ▫ USB input ▫ Up to 5 cameras input ▫ Wi -Fi Module ▫ Phone tethering ▫ Cordless Apple Car Play & Android Auto ▫ Truck specific satellite navigation ▫ OTA (over the air updates)
Storage:	Multiple in-cab compartments
Power Outlet:	24 volt 240W & 12 volt 120W in dash
DIN accessory fitment:	Two DIN sized compartments
Floor covering	Vinyl

EXTERNAL CABIN

Cab Description:	Forward control, pressed steel construction
Mounting type:	Full floating, 4 bag air suspended cab with 4 dual acting shock absorbers and dual automatic height control valves.
Cab paint:	Standard – Polar White. Paint code W33
Inspection points:	Back of the cab and front panel
Bumper type:	3 piece with steel corner panels
Mirrors:	Heated and electrically operated main mirrors with flat glass, wide vision and passenger-side downward facing spot mirrors
Lamps:	<ul style="list-style-type: none"> ▫ LED head lamps (low beam) ▫ Bumper mounted fog lamps ▫ Roof mounted clearance lights
Wipers:	Triple arm, 2 speed wipers with variable intermittent operation and integrated washers
Reversing system:	Reverse beeper and digital infrared camera with microphone

UD CONNECT (FLEET MANAGEMENT)

Telematics hardware:	In-cab GSM and GPS unit with SIMcard connected to roof antenna
Subscription:	12 months included
Key Reports:	<ul style="list-style-type: none"> ▫ Total operational time and distance ▫ Average speed and fuel consumption ▫ Total CO2 emission ▫ Vehicle utilisation ▫ Anticipating & braking ▫ Engine & gear utilisation ▫ Speed adaptation ▫ Time idling (standstill)

FACTORY OPTIONAL EQUIPMENT

Tyres:	275 /70 R22.5
Wheels:	Alcoa aluminium wheels
Rear engine PTO:	DIN 5462 or Flange SAE1410, 650 Nm capacity
Safety:	<ul style="list-style-type: none"> ▫ Driver Alert System ▫ Driver Monitor System
Cab paint:	Custom paint colours
Cab Interior:	Leather steering wheel, Woodgrain dash, Centre console or 2nd passenger seat
Cab Exterior:	Roof scoop, Chrome grille, Roof beacon prep kit, Bumper spoiler, passenger door peep window, cab auxilliary side windows
Additional Wheelbases:	4,250mm 4,700mm 5,100mm
Chassis:	Additional 400 litre fuel tank (V wheelbase only), Front axle stabiliser bar

MAJOR DIMENSIONS

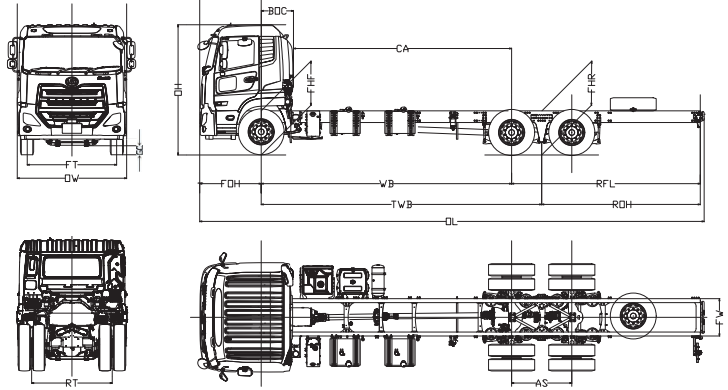
Variant	Mass (kg)						Vehicle Dimensions (mm)														UD order code				
	Wheelbase code	GVM*	GCM	Front Tare	Rear Tare	Total Tare	WB	TWB	OL	OW	OH	FT	RT	FW	AS	FOH	ROH	RFL	CA	GC		FHF	FHR	Turning radius (kerb to kerb)	
UD - Air	L			3981	3532	7513	3700	4385	8234		2970							2460	3145	2985	201	1022	1029	6900	CW25360LAA
	V	25000	38000	4014	3688	7702	5700	6385	11474	2490	2970	2044	1833	850	1370	1392		3510	4195	4985	201	1027	1029	9800	CW25360VAA
	Z			4456	3732	8188	6600	7285	11837		2985							3160	3845	5885	200	1042	1058	12000	CW25360ZAA

*Rated GVM and axle capacities are subject to Federal, State and Territory legal requirements.

Mass is an estimation based only on standard model, includes fluids (no diesel fuel or Adblue®). Excludes spare wheel. Excludes driver and tools. Subject to ± 3% tolerance.

Ground clearance is based on vehicle with standard wheels and tyres. For alloy rims deduct 28kg from Front tare and deduct 56kg from each rear axle in rear tare.

For alloy rims add 18mm to both FT and RT measurements



WARRANTY

Standard warranty*

36 months/500,000 kms

Cab corrosion warranty*

36 months/unlimited kms

+ For details refer to your UD Trucks New Vehicle Warranty brochure
 ++ Purchased by the owner and covers selected factory items only.
 For details refer to your UD Trucks New Vehicle Warranty brochure