

Quon

CD 25 360
6x2 Rigid



1.04.2026

QUON KEY FEATURES

SPECIFICATIONS

Power:	263 kW (357 PS) @ 1900 rpm
Torque:	1428 Nm (1055 lb.ft) @ 1200 rpm
Transmission:	ESCOT-VII automated manual transmission (AMT)
Suspension:	Air bag suspension
Wheelbase:	5700 mm (V-wheelbase)
GVM:	25,000 kg
GCM:	38,000 kg

UD TRUCKS EXTRA MILE SOLUTIONS



UD TRUCKS FINANCIAL SERVICES

Delivering flexible finance solutions that are tailored to your business. Helping to get your UD Quon on the road, as soon as possible.*



UD TRUCKS SERVICE AGREEMENTS

Peace of mind through tailored service plans, with fixed monthly costs and preventative maintenance options. Maximising fleet uptime and your bottom line.**



UD CONNECT

Keep track of your fleet, improve driver performance, save fuel and reduce maintenance costs, through our integrated telematics system with fully customisable reports.**



SMART FUEL EFFICIENCY

GH8 engine: compact, fuel efficient, powerful and reliable.



SMART UPTIME

Quon has been designed to optimise uptime, with superior reliability and improved maintenance intervals.



SMART SAFETY

Comprehensive active and passive safety systems with mechanical and electronic features throughout, including safety for vulnerable road users.



SMART PRODUCTIVITY

Light weight chassis helping to maximise payloads.



SMART DRIVABILITY

The cabin has been designed with driver comfort in mind, with impressive ergonomics and overall visibility.

Going the Extra Mile.

*Finance offered by Volvo Financial Services Pty Ltd.

**Terms and conditions apply.

 UD TRUCKS

GENERAL SPECIFICATIONS

SAFETY

Passive Safety:

- Highly rigid cabin with ECE R29 rating
- Side door beams
- Front underrun protection system (FUPS)
- SRS driver steering wheel airbag
- Driver side seat belt with pre-tensioner
- Steering wheel & column with impact absorption function

Active Safety:

- Traffic Eye Brake System (AEB)
- Traffic Eye Cruise Control with auto stop & go
- Traffic sign recognition
- Lane departure warning system
- Electronic stability control
- Automatic hill start assist (ESCOT VI)
- Lane change support LHS & RHS
- Blind spot information system LHS & RHS
- Vulnerable road user detection LHS, RHS & front.

Basic Safety:

- LED Headlamps (low beam only)
- Disc brakes
- Anti Locking Brake System
- Emergency Braking System
- UD Extra Engine Braking (UD EEB)
- Safe Brake Blending
- Immobiliser
- Two-step entry and exit

ENGINE

Model: GH8F

Description: 6 cylinder, 4 stroke diesel engine

Displacement: 7,698 cc

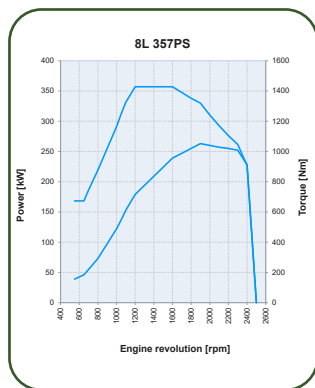
Bore x stroke: 110 mm x 135 mm

Compression ratio: 17.5:1

Max. Power (ECE Net): 263 kW (357PS) @ 1,900rpm

Max. Torque (ECE Net): 1,428 Nm (1,050 lb.ft.) @ 1,200rpm

Max. governed engine speed: 2,400 rpm



FUEL AND INTAKE SYSTEM

Fuel capacity: 400 litres (2 x 200 litres)

Injection type: High pressure common rail direct fuel injection system

Filtration: Chassis mounted primary filter and engine mounted secondary filter

EMISSION CONTROL

Emission standard: pPNLT (equivalent to Euro 6 emission requirements)

Adblue capacity: 50 litres

Exhaust system: RHS chassis mounted box muffler

ELECTRICAL

Power: 24 volt, negative ground system

Battery capacity: 2 x 12 volt 135 Ah batteries

Alternator: 110 amp

TRANSMISSION - ESCOT

Make: UD Trucks

Model: ESCOT-VII (AT2612)

Description: Automated manual transmission (AMT)

Shift type: 12 forward & 2 reverse gears

Gear ratios: Electronic shifter with fully automatic or manual control

1 st	14.94	7 th	3.44
2 nd	11.73	8 th	2.70
3 rd	9.04	9 th	2.08
4 th	7.09	10 th	1.63
5 th	5.54	11 th	1.27
6 th	4.35	12 th	1.00
Rev 1	17.48	Rev 2	13.73

PTO capacity: 1000 Nm @ 70% or 90% (PTR-D)

FRONT AXLE AND SUSPENSION SYSTEM

Ground capacity: 8,200 kg

Axle type: Reverse Elliot I-Beam

Suspension: Parabolic leaf spring with shock absorbers

Spring dimensions: 90mm x 1460mm

Spring constant: 347.7 N/mm

REAR AXLE AND SUSPENSION SYSTEM

Ground capacity: 20,000 kg

Axle type / model: Single reduction, hypoid gear, with cross locks.

Final reduction ratio: 3.36, 3.70

Shock absorbers: Telescopic double acting

Road friendly certification number: RF2099 (air only)

Control system: Electronic Controlled Air Suspension with remote control mounted in cab (ECAS4)

BRAKES

Type: Electronic braking system (EBS) with disc brakes on all axles

Front/Rear: 430 mm rotors / 430 mm rotors

Park brakes: Hand-operated pneumatic spring park brake on drive axles

Auxiliary brake: Exhaust plus engine compression type (EEB)

Trailer connections: Air and electrical connections to rear of chassis

STEERING

Type: Recirculating ball and screw with hydraulic assist

Steering gear ratio: 24.1 - 26.8 : 1

Column: Adjustable, tilt and telescopic control

Steering wheel: 460 mm diameter with ignition key steering lock

WHEELS & TYRES	
Wheels:	8.25in x 22.5in rim with 165mm offset and ISO 10 stud pattern (335mm PCD)
Front tyres:	295/80 R22.5 Bridgestone R150Z
Rear tyres:	11R 22.5 Bridgestone M711AZ
Spare tyre	295/80 R22.5 Bridgestone R150Z

FRAME	
Width:	850 mm
Side rail dimensions:	300 mm x 90 mm x 7 mm
Material:	Rolled high tensile carbon steel
Tensile strength:	600MPa / 600N/mm ²

DRIVER INFORMATION & CUSTOMISABLE COLOUR DISPLAY SCREEN	
In Dash Warning Systems:	Visual warning lamps with audible warning tones, plus written warnings displayed in full colour on the information screen
In Dash Driver Information:	Customisable live information includes: On board fuel coaching with economy tips, fuel & AdBlue usage, instant fuel consumption, digital speedo, trip computer including: time, distance & distance to empty. Hour meter, coolant temp, engine oil temp, transmission oil temp, UDPC level and volt meter.

INTERNAL CABIN	
Lighting:	Dual ON/OFF/DOOR interior lights Interior neon cabin lamp
Seating capacity:	Two (three seats optional)
Driver's seat:	ISRI 6860/875 air suspended seat with integrated seat belt & adjustable arm rest. Adjustable height control & rebound damper. With split seat back adjustments for recline & head rest position. Seat base tilt, seat cushion slide, seat air dump switch. Adjustable air bladders (4) for side bolsters, upper & lower lumbar.
Passenger seat/s:	Assistant seat with adjustable back & head rest
Sleeping capability:	ADR 42/04 compliant sleeper bunk with mattress and full curtains
Side windows:	Power operated door glass
Security:	Remote central locking with immobiliser
Air conditioning:	Fully automatic climate controlled air conditioning with recirculation filter
Multimedia unit:	<ul style="list-style-type: none"> ▫ 8-inch touch screen ▫ Hands-free Bluetooth operation. ▫ FM1, FM2, FM3, AM, DAB+ tuner ▫ USB input ▫ Up to 5 cameras input ▫ Wi-Fi Module ▫ Phone tethering ▫ Cordless Apple Car Play & Android Auto ▫ Truck specific satellite navigation ▫ OTA (over the air updates)
Storage:	Multiple in-cab compartments
Power Outlet:	24 volt 240W & 12 volt 120W in dash
DIN accessory fitment:	Two DIN sized compartments
Floor covering	Vinyl

EXTERNAL CABIN	
Cab Description:	Forward control, pressed steel construction
Mounting type:	Full floating, 4 bag air suspended cab with 4 dual acting shock absorbers and dual automatic height control valves.
Cab paint:	Standard – Polar White. Paint code W33
Inspection points:	Back of the cab and front panel
Bumper type:	3 piece with steel corner panels
Mirrors:	Heated and electrically operated main mirrors with flat glass, wide vision and passenger-side downward facing spot mirrors
Lamps:	<ul style="list-style-type: none"> ▫ LED head lamps (low beam) ▫ Bumper mounted fog lamps ▫ Roof mounted clearance lights
Wipers:	Triple arm, 2 speed wipers with variable intermittent operation and integrated washers
Reversing system:	Reverse beeper and digital infrared camera with microphone

FACTORY OPTIONAL EQUIPMENT	
Tyres:	275 /70 R22.5
Wheels:	Alcoa aluminium wheels
Rear engine PTO:	DIN 5462 or Flange SAE1410; 650 Nm capacity
Safety:	<ul style="list-style-type: none"> ▫ Driver Alert System ▫ Driver Monitoring System
Cab Interior:	Leather steering wheel, woodgrain dash, centre console or 2nd passenger seat
Cab Exterior:	Roof scoop, chrome grille, roof beacon prep kit, bumper spoiler, passenger door peep window, cab auxilliary side windows
Chassis:	Additional 400 litre fuel tank (V wheelbase only), front axle stabiliser.
Cab Paint:	Custom paint colours.
Additional Wheelbases:	4,700mm, 5,100mm

UD CONNECT (FLEET MANAGEMENT)	
Telematics hardware:	In-cab GSM and GPS unit with SIMcard connected to roof antenna
Subscription:	First 12 months are complimentary with the purchase of a new UD Quon*
Key Reports:	<ul style="list-style-type: none"> ▫ Total operational time and distance ▫ Average speed and fuel consumption ▫ Total CO2 emission ▫ Vehicle utilisation ▫ Anticipating & braking ▫ Engine & gear utilisation ▫ Speed adaptation ▫ Time idling (standstill)

MAJOR DIMENSIONS

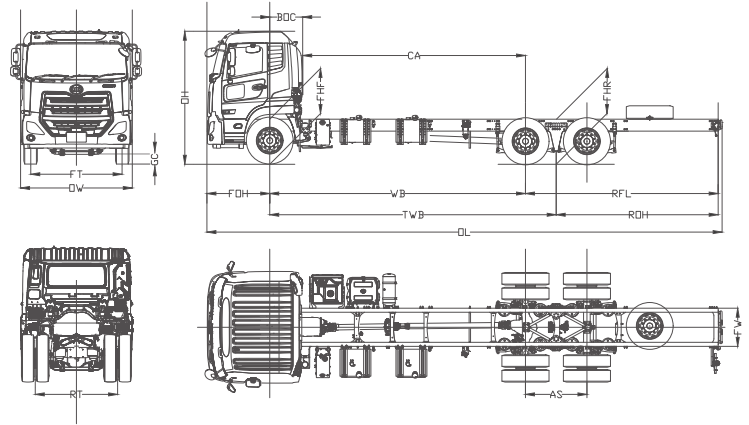
Mass (kg)							Vehicle Dimensions (mm)																	
Variant	Wheelbase code	GVM*	GCM	Front Tare	Rear Tare	Total Tare	WB	TWB	OL	OW	OH	FT	RT	FW	AS	FOH	ROH	RFL	CA	GC	FHF	FHR	Turning radius (kerb to kerb)	UD order code
UD - Air	V	25000	38000	4000	3280	7280	5700	6385	11474	2490	2970	2044	1833	850	1370	1392	3510	4195	4985	201	1027	1029	9800	CD25360VAA

*Rated GVM and axle capacities are subject to Federal, State and Territory legal requirements.

Mass is an estimation based only on standard model, includes fluids (no diesel fuel or Adblue®). Excludes spare wheel. Excludes driver and tools. Subject to ± 3% tolerance.

Ground clearance is based on vehicle with standard wheels and tyres. For alloy rims deduct 28kg from Front tare and deduct 56kg from each rear axle in rear tare.

For alloy rims add 18mm to both FT and RT measurements



WARRANTY

Standard warranty* 36 months/500,000 kms
Cab corrosion warranty* 36 months/unlimited kms

+ For details refer to your UD Trucks New Vehicle Warranty brochure
 ++ Purchased by the owner and covers selected factory items only. For details refer to your UD Trucks New Vehicle Warranty brochure

TAKE YOUR BUSINESS FURTHER WITH UD TRUCKS EXTRA MILE SOLUTIONS



UD TRUCKS FINANCIAL SERVICES

Fast, competitive, customisable and fuss-free

UD Trucks Financial Services deliver professional and customisable solutions directly through your UD Trucks dealer network. You'll get a comprehensive and flexible finance solution that's tailored to your needs. We will help to get your UD Truck on the road, as soon as possible.*

- Fast and easy to work with**
We are easy to do business with, and you can depend on us to secure a competitive and fast finance package.
- Tailored Solutions**
We take the time to get to know you and your business so that we can offer you the best tailored solution. One that meets your needs and is flexible enough to carry you confidently into the future.
- A second financing source**
Your bank credit line is best used as a cash flow buffer to your daily activities. That's why having a second line of credit from UD Trucks Financial Services is a more effective way to finance your truck purchase.



UD TRUCKS SERVICE AGREEMENTS

Complete peace of mind

Managing a fleet is no easy task, but with UD Trucks Service Agreements, we can make that much simpler while maximising uptime and providing full peace of mind.

Not only will your fleet enjoy professional service and high-quality, assured parts from UD Trucks, you can also have improved cost control with our simple, fixed monthly invoicing and help from our service advisers every step of the way.**



UD TRUST ULTIMATE
The UD Trust Ultimate plan is the most comprehensive of all the UD Trucks Service Agreements, with the added confidence of repairs to the electrical, engine, driveline, braking and steering systems.



UD TRUST EXTRA
The UD Trust Extra plan covers all that is included in the Standard Program as well as repairs to the driveline components, brakes and clutch components.



UD TRUST STANDARD
The UD Trust Standard plan is designed to service your vehicle in line with your customised OEM backed service plan, giving your vehicle the right maintenance to go the Extra Mile.



UD CONNECT

Keeping your fleet in check

UD Connect uses advanced telematics technology to capture data on operational and truck performance. Providing easy-to-read reports to inform you and then take steps to improve driver performance, save fuel and reduce maintenance costs. Monitoring driver and truck performance, with real-time analysis and top-line reporting.

Each UD Truck in Australia that's fitted with UD Connect and that has been signed up to our agreement, will give you instant feedback on driver behaviour while they're out on the road, allowing you to identify areas of improvement.***

- Keeping track of your fleet**
Provides important information about your UD fleet so that you know where your trucks are at all times and can track the status of your deliveries.
- Helping to reduce fuel consumption**
Easy to read reports on fuel usage and driver behaviour, so that you can optimise your fuel consumption and improve your bottom line.
- Maximising fleet uptime**
Comprehensive and proactive support to assist fleet uptime and productivity.

DISCLAIMER: Imported and distributed by Volvo Group Australia Pty Ltd (ABN: 27 000 761 259). Photos for illustration purposes. Volvo Group Australia Pty Ltd reserves the right to modify design and change equipment without previous notification. Please consult with your UD Trucks Dealer for the latest information about vehicle specifications. Last published: October 2024

* Finance offered by Volvo Financial Services Pty Ltd trading as UD Trucks Financial Services. Subject to credit checks and terms and conditions.

** Terms and conditions apply. Contact us for a copy of our UD Trucks Service Agreement terms.

*** Terms and conditions apply. Contact us for a copy of our UD Connect agreement terms.