



UD TRUCKS

CRONER

PD 25 280

6x2



OVERVIEW

Power:	206 kW (280 PS) @ 2,200 rpm
Torque:	1,050 Nm (774 lb.ft) @ 1,100 rpm
Transmission:	Allison 3000 Series
Suspension:	Electronically controlled 4 bag air suspension.
GVM:	24,500 kg
GCM:	32,000 kg

Note: PD 25 280 shown may not be representative of actual vehicle.

CRONER UNIQUE FEATURES



DRIVER EFFICIENCY Allison automatic transmission, clear dashboard layout and ergonomic cab means less fatigue for the driver.



PRODUCTIVITY Wheelbase, rear-axle ratio and suspension options so you can optimise your truck for maximum productivity.



PRODUCT UPTIME Robust component design and a high tensile steel frame, manufactured and tested to deliver optimal performance.



FUEL EFFICIENCY High torque GH8E engine, Allison automatic transmission and UD's on-board fuel coach to maximise fuel efficiency.



SAFETY Anti-lock Braking System (ABS), Electronic Brakeforce Distribution (EBD), driver's airbag and seatbelt pretensioner as standard.



UPTIME SUPPORT Genuine service, parts, roadside assistance, driver training and telematics – support services to keep your truck on the road.

UD Trucks Australia
udtrucks.com/australia

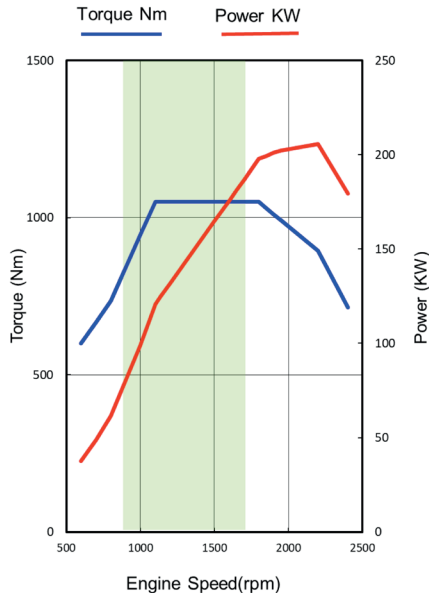
GENERAL SPECIFICATIONS

SAFETY

Passive Safety:	ECE R29 cab strength compliant ADR84 (ECE R93) Front Underrun Protection System (FUPS)
Basic Safety:	SRS airbag with seat belt pretensioner Electronic brakeforce distribution (EBD) Daytime running lights (DRL's) Front & side close view spotter mirrors Digital reverse camera

ENGINE

Model:	GH8E
Description:	6 cylinder, 4 stroke diesel engine
Displacement:	7,698 cc
Bore x stroke:	110 mm x 135 mm
Compression ratio:	17.5:1
Max. Power (ECE Net):	206 kW (280 PS) @ 2,200 rpm
Max. Torque (ECE Net):	1,050 Nm (774 lb.ft) @ 1,100 rpm
Max. governed engine speed:	2,500 rpm



FUEL AND INTAKE SYSTEM

Fuel capacity:	255 litre alloy tank with lockable cap
Injection type:	High pressure common rail direct fuel injection system
Filtration:	Chassis mounted primary filter and engine mounted secondary filter

EMISSION CONTROL

Emission standard:	Euro 5 emission standard
Emission system:	Selective Catalytic Reduction (SCR)
Adblue capacity:	50 litres
Exhaust system:	RHS chassis mounted box muffler

ELECTRICAL

Power:	24 volt, negative ground system
Battery capacity:	2 x 12 volt 110 Ah batteries
Alternator:	90 amp

TRANSMISSION

Make:	Allison
Model:	3000 Series
Description:	6 speed fully automatic Allison with Gen 5 adaptive shift
Shift type:	Push button shift selector
Gear ratios:	1st 3.49 2nd 1.86 Rev 1 5.03 3rd 1.41 4th 1.00 5th 0.75 6th 0.65
PTO capability:	660 Nm using LHS or RHS openings 930 Nm total using both openings

TORQUE CONVERTER

Make:	Allison
Model:	TC-418
Stall torque ratio:	1:98:1

FRONT AXLE AND SUSPENSION SYSTEM

Ground capacity:	6,500 kg
Axle type:	Reverse Elliot I-Beam
Suspension:	Parabolic leaf spring with shock absorbers
Spring dimensions:	80 mm x 1,400 mm
Spring constant:	374 N/mm

REAR AXLE AND SUSPENSION SYSTEM

Ground capacity:	18,000 kg
Axle type:	Single reduction, hypoid gear
Final reduction ratio:	5.57

AIR SUSPENSION

Description:	4 air bellow with Z shaped leaf
Air spring diameter:	323 mm
Shock absorbers:	Telescopic double acting
Road friendly certification number:	RF2106
Control system:	Electronic Controlled Air Suspension with programmable remote control mounted in cab (ECAS4)

BRAKES

Type:	Anti-lock Braking System (ABS)
Description:	Full air brake system with automatic adjusting S cam
Drum diameter:	Front 410 mm Rear 410 mm Total
Lining area:	2,094 cm ² 2,094 cm ² 4,188 cm ²
Park brakes:	Hand-operated pneumatic spring park brake on drive axle
Auxiliary brake:	Exhaust pressure governor (EPG)
Trailer connections:	Air and electrical connections to rear of chassis

STEERING

Type:	Recirculating ball and screw with hydraulic assist
Steering gear ratio:	22:4:1
Column:	Adjustable, tilt and telescopic control
Steering wheel:	460 mm diameter with ignition key steering lock

WHEELS & TYRES

Wheels:	8.25in x 22.5in rim with 165mm offset and ISO 10 stud pattern (335mm PCD)
Front tyres:	295/80 R22.5 Bridgestone R294Z
Rear tyres:	11R 22.5 Bridgestone M766Z
Spare tyre:	295/80 R22.5 Bridgestone R294Z

FRAME

Width:	850 mm
Side rail dimensions:	236 mm x 70 mm x 7 mm- wheelbase under 6000 mm 236 mm x 70 mm x 8 mm- wheelbase over 6000 mm
Material:	Rolled high tensile carbon steel
Rail strength:	Min. 700 N/mm ² (71.3 kgf/mm ²)

STANDARD DRIVER AIDS

Warning systems:	23 visual warning lamps plus written warnings displayed on LCD screen
Driver assistance:	Driver information including: date, time, oil pressure, voltmeter, trip information Electronic stalk mounted cruise control GPS satellite navigation with HERE® truck mapping

INTERNAL CABIN

Lighting:	Single interior door operated lamp LED interior roof lamp
Seating capacity:	Three
Driver's seat:	Air-suspended seat with adjustable shock absorber, recliner, height control and armrest
Passenger seat/s:	Assistant seat with adjustable head rest Foldable centre seat
Sleeping capability:	ADR42/04 compliant sleeper cab with mattress
Side windows:	Power operated door glass
Security:	Central locking
Air conditioning:	Manual controlled HVAC with recirculation filter
Multimedia unit:	8" high definition capacitive touchscreen with tilting function, CD & DVD player, AM-FM radio, digital radio & internet radio (requires phone data), USB & auxiliary ports & PDF reader, Wi-Fi & phone tethering enabled, Bluetooth handsfree operation, Android connectivity, Apple connectivity truck specific satellite navigation with 3 free map upgrades.
Storage:	Multiple in-cab compartments
Power outlet:	24 volt 240W power outlet (dashboard) 12 volt 120W power outlet (console)
DIN accessory fitment:	Two DIN sized compartments
Floor covering:	Vinyl

EXTERNAL CABIN

Cab Description:	Forward control, pressed steel construction
Mounting type:	Spring suspended cab with 2 dual acting shock absorbers
Cab paint:	Standard – Calm White
Inspection points:	Back of the cab and front panel
Bumper type:	3 piece with steel corner panels
Mirrors:	Heated and electrically operated main mirrors with flat glass, wide vision and passenger-side downward facing spot mirrors
Lamps:	Halogen multi-reflector head lamps Bumper mounted fog lamps Roof mounted clearance lights
Wipers:	2-speed wipers with intermittent operation
Reversing system:	Reverse beeper and digital infrared camera with microphone

UD CONNECT (FLEET MANAGEMENT)

Telematics hardware:	In-cab GSM and GPS unit with SIM-card connected to roof antenna
Subscription:	12 months included
Key Reports:	Total operational time and distance Average speed and fuel consumption Total CO2 emission Vehicle utilisation Anticipating & braking Engine & gear utilisation Speed adaptation Time idling (standstill)

FACTORY OPTIONAL EQUIPMENT

Tyres:	275/70 R22.5
Wheels:	Alcoa aluminium wheels
Rear axle ratio:	6.17:1
Rear engine PTO:	1,410 flange 600 Nm capacity
Transmission	
PTO position:	Top mount, 1 o'clock
Cab paint:	Custom paint colours

DEALER FIT OPTIONAL EQUIPMENT

Transmission PTO:	Specific to application (refer to dealer)
Cameras:	Up to 4 additional analog cameras connected to the multimedia unit
Multimedia:	Tyre Pressure Monitoring System (TPMS) Reverse sensors (high or low fitment) Wireless phone charging pocket

PERFORMANCE (calculated)

Max. road speed: 100 km/hr (ADR 65/00 – speed limited)
Gradeability 1st gear: 28.2% @ 24,500 kg
Gradeability top gear: 1.3% @ 24,500 kg
Est. RPM @ 100km/h: 1,878 rpm

Note: All performance data is calculated and based on vehicle with standard rear axle ratio and tyre size

WEIGHTS AND DIMENSIONS (approx.)

Variant	Model	Mass (kg)					Vehicle Dimensions (mm)																
		GVM*	GCM	Front Tare ^{1,3}	Rear Tare ^{1,3}	Total Tare ^{1,3}	WB	TWB	OL	AS	OW	OH	FT ⁴	RT ⁴	FW	FOH	ROH	BOC	CA	GC ²	FHF ²	FHR ²	Turning radius (kerb to kerb)
Air	PD25280SAA	24500	32000	3515	3060	6575	5000	5700	9510	1400	2486	2772	2036	1835	852	1355	2455	750	4250	230	980	1023	9650
	PD25280WAA			3545	3165	6710	6000	6700	11010							2955		5250					11450

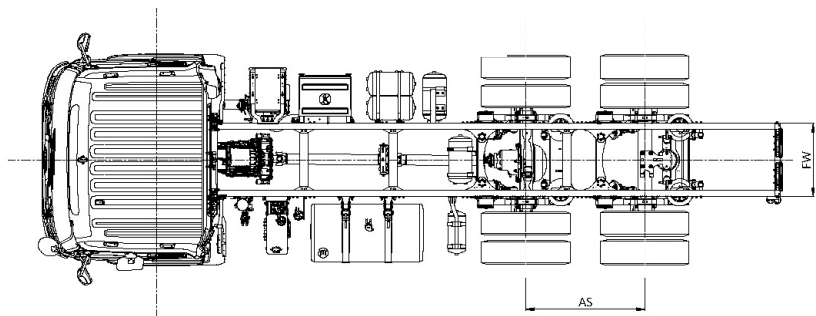
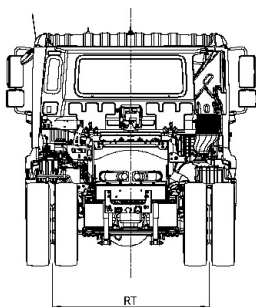
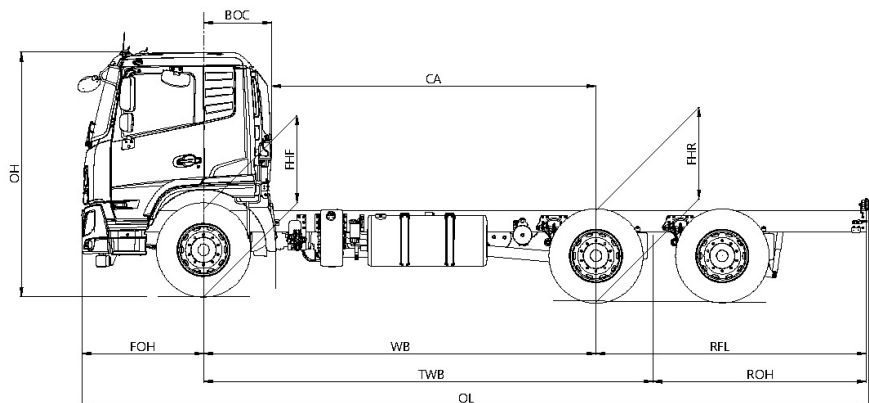
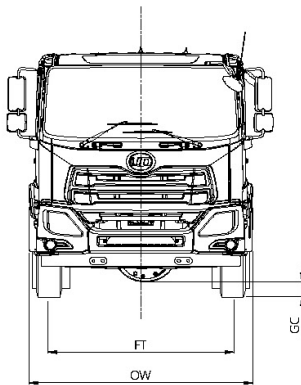
*Rated GVM and axle capacities are subject to Federal, State and Territory legal requirements.

¹ Mass is an estimation only based on standard model, includes fluids (not Diesel fuel or AdBlue) excludes driver and tools.

² Based on vehicle with standard wheels and tyres.

³ For alloy rims deduct 28kg from Front Tare and deduct 110kg from Rear Tare.

⁴ For alloy rims add 18mm to both FT and RT measurements.



WARRANTY

Standard warranty⁺ 36 months / 300,000 kms
Cab corrosion warranty⁺ 36 months / unlimited kms
Extended warranty⁺⁺ 60 months / 350,000 kms

⁺For details refer to your UD Trucks New Vehicle Warranty brochure

⁺⁺Purchased by the owner and covers selected factory items only. For details refer to your UD Trucks New Vehicle Warranty brochure

UD Trucks Australia
udtrucks.com/australia

DISCLAIMER: Imported and distributed by Volvo Group Australia Pty Ltd (ABN: 27 000 761 259). Photos for illustration purposes. Volvo Group Australia Pty Ltd reserves the right to modify design and change equipment without previous notification. Please consult with your UD Trucks Dealer for the latest information about vehicle specifications.

Last published November 2022