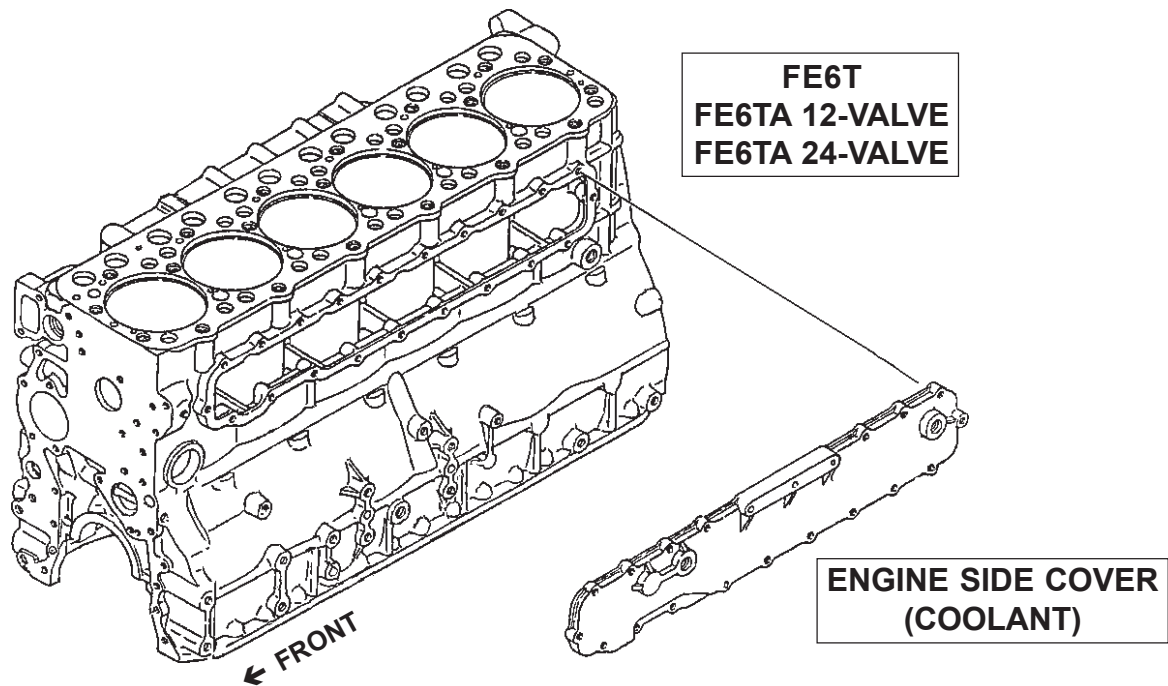


DATE: JUNE 24, 2002
MODEL YEAR: 1986 ~ 2002 (EXCEPT 1992 ~ 1994)
ENGINE MODEL: FE6T/FE6TA 12-VALVE/FE6TA 24-VALVE
BULLETIN #: EN - 28 (REV. A)
 FILE IN THE ENGINE SECTION OF THE TECHNICAL BULLETIN BINDER (DISCARD PREVIOUS BULLETIN DATED APRIL 2, 2002)

FE6 ENGINE SIDE COVER CHANGE

PURPOSE

To advise UD Dealer Service Managers and UD Truck technicians that the engine side cover for the coolant jacket in FE6 engines has changed beginning with the 2002 model year. The newer engine side cover will require additional conditional parts.



PARTS NOTICE

When replacing any of the former versions of the engine side cover with the new version, the following conditional parts will also be required.

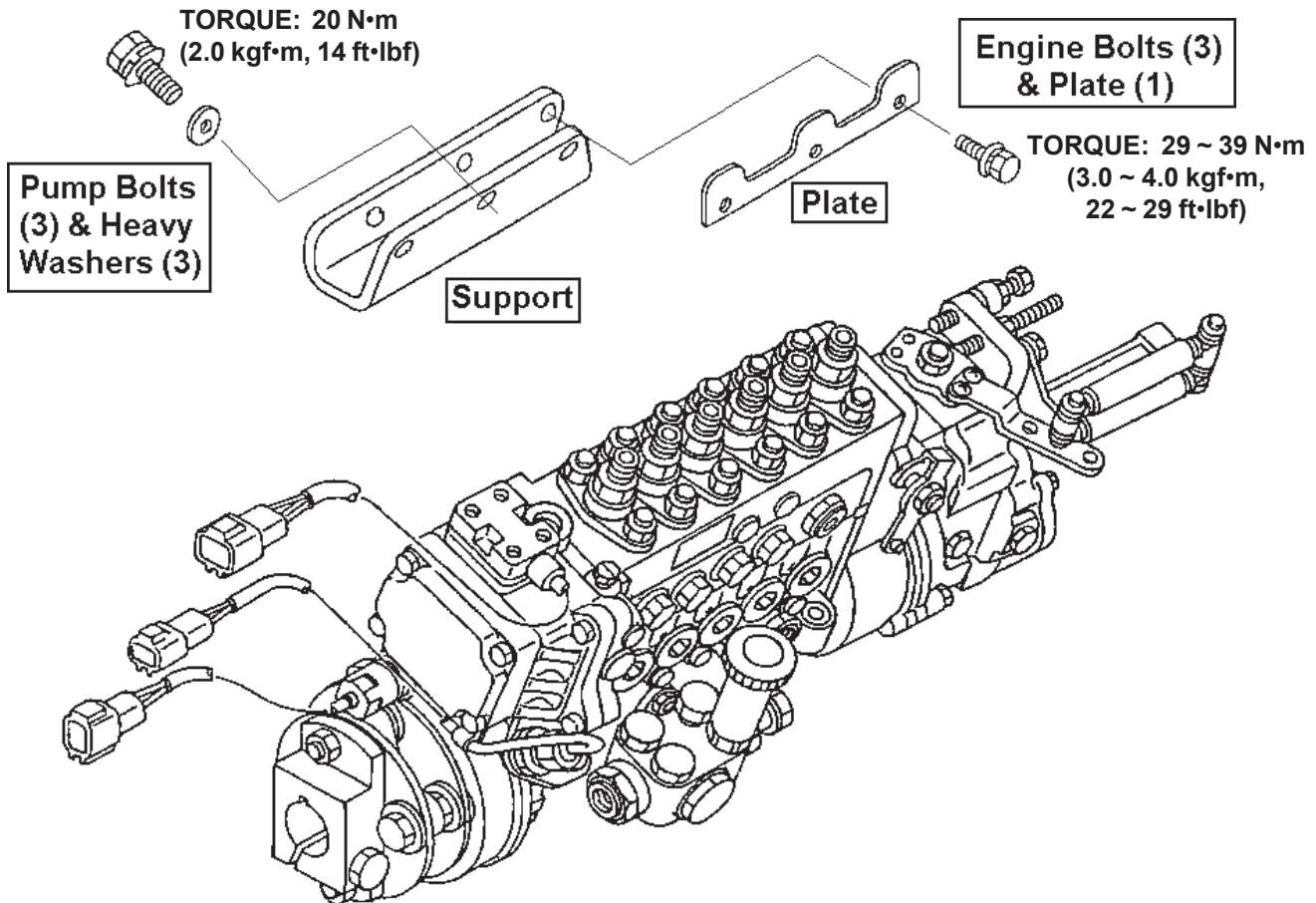
| YEARS | FORMER COVER | NEW COVER | CONDITIONAL PARTS | DESCRIPTION | QUANTITY |
|---------------------|--------------|-------------|-------------------|-------------|----------|
| 1989 ~ 1991 | 11027-Z5505 | 11027-Z5570 | 16813-Z5562 | SUPPORT | 1 |
| 1995 ~ 1998 | 11027-Z5511 | | 99605-Z5500 | PLATE | 1 |
| 1999 ~ 2000 | 11027-Z5518 | | 01125-10254 | BOLT | 3 |
| 2001 | 11027-Z5564 | | 01311-00144 | WASHER | 3 |
| SUPERCESSION NUMBER | 11027-Z5567 | | 91011-Z5518 | BOLT | 3 |

NOTE: 1992 ~ 1994 model year engine side covers (part number 11027-Z5563) are not included in this supercession.

SERVICE NOTICE

Three new bolts for the support-to-injection pump and three new bolts for the support-to-engine are included with the conditional parts. Also included is a flat plate and three heavy flat washers.

When installing the injection pump support bracket between the engine and injection pump, install the flat plate beneath the head of the three support-to-engine bolts, and the heavy flat washers beneath the head of the three support-to-injection pump bolts.



THE INFORMATION CONTAINED IN THIS BULLETIN SHOULD NOT BE CONSIDERED THE BASIS FOR WARRANTY CLAIMS

FOR THE INDICATED PERSONNEL BELOW, PLEASE READ, INITIAL, AND ROUTE TO THE FOLLOWING:

| | | | | | | | | |
|---|-----------------|---|------------------|---|------------------------------------|--|--|--|
| X | SERVICE MANAGER | X | WARRANTY MANAGER | X | SERVICE TECHNICIANS INITIAL BELOW: | | | |
| X | PARTS MANAGER | X | SHOP FOREMAN | | | | | |