

UD TRUCKS TECHNICAL BULLETIN # TR - 10 (Rev.)

DATE: FEBRUARY 27, 1998
MODEL YEAR: 1995 AND AFTER
CHASSIS MODEL: UD1400
BULLETIN #: TR - 10 (Discard previous bulletin TR - 10 dated 01/31/97.)
FILE IN THE TRANSMISSION SECTION OF THE TECHNICAL BULLETIN BINDER

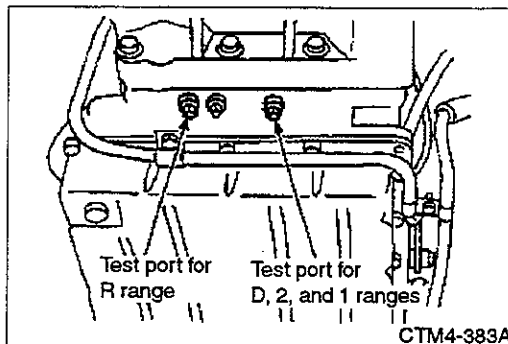
JATCO ATM REVERSE PRESSURE TEST PORT LOCATION CHANGE

CORRECTION NOTICE:

The UD1400 Service Manual (pub. no. SMU41U3E00) requires a correction concerning the JATCO automatic transmission reverse pressure test port location.

Page AT-5-64 incorrectly indicates the location for the JATCO automatic transmission reverse pressure test port for all UD1400 trucks. The location of the reverse pressure test port changed starting with JATCO serial number 4184686.

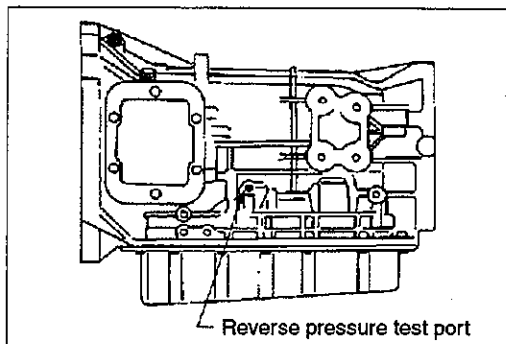
The illustration below, on UD1400 Service Manual page AT-5-64, correctly indicates the location of the reverse pressure test port for all UD1400 trucks with JATCO serial numbers **BEFORE** 4184686:



**FOR JATCO SERIAL NUMBERS
BEFORE 4184686**

Pressure Testing

- Location of line pressure test port (1/4" BSPT).
- **Always replace line pressure plugs as they are self-sealing bolts.**



**FOR JATCO SERIAL NUMBERS
4184686 AND AFTER**

The illustration to the left correctly indicates the location of the reverse pressure test port (1/8" BSPT) for all UD1400 trucks with JATCO serial numbers **AFTER** 4184686.

The UD Dealer must locally purchase a fitting to adapt the existing pressure test gages to this port until Kent-Moore ships the proper adapter hose for the 1/8" BSPT port. Refer to Technical Bulletin TL - 10.

THE INFORMATION CONTAINED IN THIS BULLETIN SHOULD NOT BE INTERPRETED AS THE BASIS FOR CLAIMS UNLESS SO DESIGNATED.