

# TECHNICAL BULLETIN CB-08

DATE: December 4, 2007  
 MODEL YEAR: 2005 and later  
 CHASSIS MODEL: UD1800CS ~ UD3300  
 BULLETIN NUMBER: CB-08  
 FILE IN THE CAB and BODY SECTION OF THE TECHNICAL BULLETIN BINDER

## CAB (RATTLING/KNOCKING) NOISE COMPLAINTS

### PURPOSE

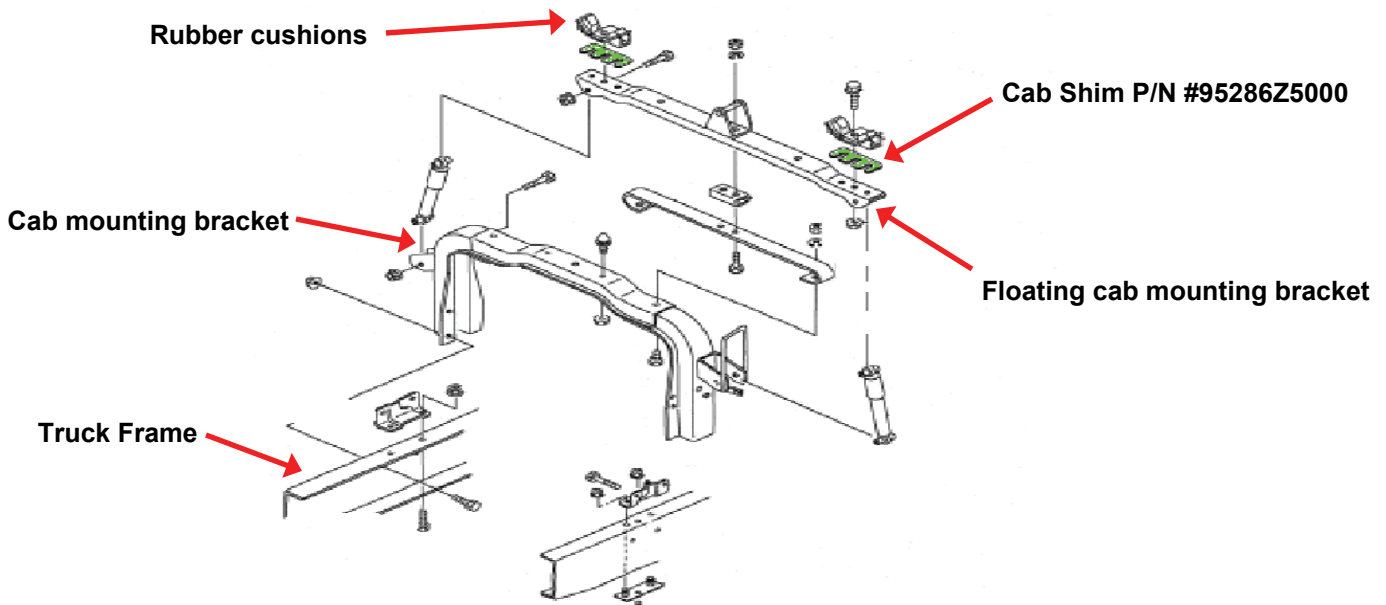
To provide repair information regarding cab rattling / cab knocking noise complaints on the 2005MY and later medium duty trucks. Cab rattling / cab knocking noise complaints from the cab latch are due to the alignment of the cab rubber cushions.

### SERVICE RECOMMENDATION

The floating cab mounting bracket located behind the cab has two rubber cushions designed to dampen vibration. These cushions may require the addition of a shim on the bottom side to tighten the cab clearance between the mounting bracket and the cab supports.

### PARTS INFORMATION 95286Z5000 Shim.

*Note: Add one shim at a time on each side and then check the latch operation before adding additional shims. Additional shims may not allow the latch to fully engage. Verify the cab latch warning light and buzzer for proper operation.*



THE INFORMATION CONTAINED IN THIS BULLETIN SHOULD NOT BE INTERPRETED AS THE BASIS FOR WARRANTY CLAIMS							
FOR THE INDICATED PERSONNEL BELOW, PLEASE READ, INITIAL, AND ROUTE TO THE FOLLOWING:							
X	SERVICE MANAGER	X	WARRANTY MANAGER	X SERVICE TECHNICIANS INITIAL BELOW:			
X	PARTS MANAGER	X	SHOP FOREMAN				