

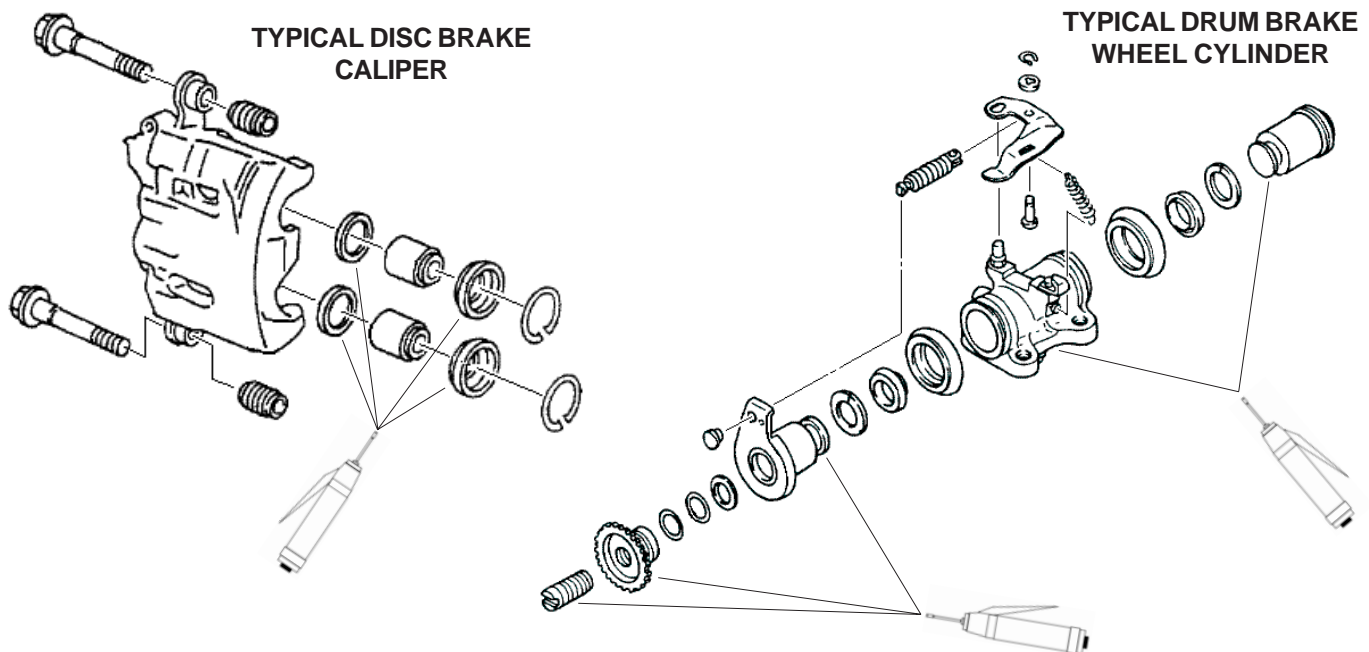
DATE: MARCH 28, 2000
MODEL YEAR: ALL
CHASSIS MODEL: ALL
BULLETIN #: BR - 07

FILE IN THE BRAKES SECTION OF THE TECHNICAL BULLETIN BINDER

RECOMMENDED LUBRICANT FOR BRAKE COMPONENT SERVICE OR REPAIRS

PURPOSE:

To advise UD Truck Dealers of the importance of properly lubricating brake system components, such as calipers and wheel cylinders, for repairs or during scheduled maintenance service. The proper lubricant should be a high temperature, high pressure grease compound that is also compatible with brake system components.



SERVICE NOTICE:

Whenever the UD Truck Service Manual mentions the application of "rubber grease" to brake system components for repairs or during scheduled maintenance service, it is recommended to use a high temperature, high pressure lubricant such as 3M™ Brake Lube & Anti-Seize Compound (3M™ part number 051135 - 08945) or equivalent.